



**YOU CAN ALWAYS
COME BACK TO
A WARM HOME**

www.rikafires.co.nz



www.rikafires.co.nz

**HIGH-CLASS
FIRES**

*With
character*



**EXTREMELY
QUIET**



**TOUCH
SCREEN**



**WIFI
OPTION**

YOUR RIKA BENEFITS

- + 5-year guarantee on the welded fire body
- + 10-year guaranteed availability of spare parts
- + Optimum safety and durability
- + Airtight and non-warping thanks to the extremely thick material
- + High environmental compatibility thanks to maximum efficiency
- + Timeless integrated design
- + Maximum economy and convenience from an innovation leader
- + Guaranteed production in Austria



LIVO

**SIMPLY BEAUTIFUL,
SIMPLY DIFFERENT**

It's the little finesses which raise LIVO above other pellet fires: its pellet container is visually separated from the body; the individual components have creative definition. It is fire in a new form - with all of the RIKA advantages



**BLACK
STEEL**

MIRO

**COMPACT
WARMTH**

Its technology is the very latest, its design is timeless and individual, its surfaces are easy to clean and its form very compact - this model is hard to beat. Customizable to suit your preferences, the MIRO fits perfectly into its natural environment: your living room. Like all pellet fires of the latest generation, this stove also features a user-friendly touch display



**BLACK
SLATE**

Dimensions HxWxD (mm)	1015x481x513
Heating Range (kW)	2.5-6
Fuel Consumption Range, (kg/hr)	0.6-1.3
Capacity Hopper (-kg)	-20
External Air Kit	Option

Dimensions HxWxD (mm)	1037x682x383
Heating Range (kW)	2.5-6.1
Fuel Consumption Range, (kg/hr)	0.6-1.4
Capacity Hopper (-kg)	-21
External Air Kit	Option



SONO | A MINIATURE MIRACLE

The SONO is impressive for its space-saving dimensions and exceptional design. Despite its compact construction it contains all of the RIKA innovations, such as the large pellet container, the automatic tipping grate ash removal, the touchscreen, and much more.



CORSO | A MINIMALIST DESIGN HIGHLIGHT

The cylindrical shape with uncompromising circular design makes the CORSO pellet fire a highlight for design minimalists. The purist aesthetics are supported by the curved panel integrated flush into the door. Despite its slimline design, it has a large pellet hopper with 30 kg capacity.



Dimensions HxWxD (mm)	1050x690x385
Heating Range (kW)	2.5-7.2
Fuel Consumption Range, (kg/hr)	0.6-1.6
Capacity Hopper (~kg)	~25
External Air Kit	Option

Dimensions HxWxD (mm)	1194x520x520
Heating Range (kW)	2.5-8
Fuel Consumption Range, (kg/hr)	0.6-1.9
Capacity Hopper (~kg)	~30
External Air Kit	Option



REVO II | PRETTY AS A PICTURE

Simplicity is the essence of elegance. Our REVO II pellet stove is the most beautiful proof of this. Modest, aesthetic forms surrounded by strong natural stone.

Punching out up to 8.4kW of radiant heat but with very little noise.



DOMO | HIGH-TECH PERFECT IN FORM

DOMO is as persuasive on the inside as it is on the outside: Behind its beautiful form, you can find all of our innovations such as the electronic door opening, the extra-large pellet container, the automatic tipping-grate ash-disposal and lots more. It is the “best of RIKA” - combined in one fire



Dimensions HxWxD (mm)	1090x532x578
Heating Range (kW)	2.5-8.4
Fuel Consumption Range, (kg/hr)	0.6-1.9
Capacity Hopper (~kg)	~39
External Air Kit	Option

Dimensions HxWxD (mm)	1120x793x431
Heating Range (kW)	3-10
Fuel Consumption Range, (kg/hr)	0.7- 2.3
Capacity Hopper (~kg)	~50
External Air Kit	Option



*“Alexa,
set my stove
to 22 degrees”*

RIKA VOICE

With RIKA VOICE your home becomes even smarter. Via Amazon Echo and the Alexa Voice Service it becomes very simple to voice-control your RIKA stove. All you have to do is ask Alexa to do it.

RIKA VOICE for Amazon Alexa. Only in conjunction with RIKA FIRENET



This makes your RIKA stove not just sustainable and efficient, but now also even more convenient. For more information visit our website

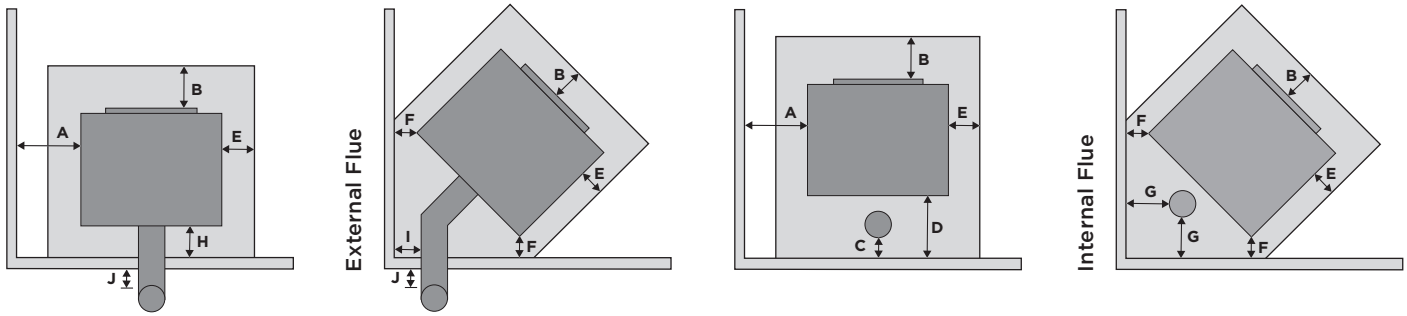


RIKA FIRENET

REMOTE-CONTROL YOUR STOVE.
RIKA FIRENET allows you to control and regulate your pellet stove whenever, wherever and however you like - from any PC or mobile device with internet access. Regardless of the operating system or an app



RIKACLEARANCES



MIRO LIVO SONO REVO II CORSO DOMO

FLAT WALL INSTALL

Side clearance (A), mm	100	100	100	100	100	100
Front hearth clearance (B), mm	150	150	150	150	150	150
Flue clearance (C) ¹ , mm	25	25	25	25	25	25
Rear clearance (D) ¹ , mm	~ 200	~ 200	~ 200	~ 200	~ 200	~ 200
Side hearth clearance (E), mm	0	0	0	0	0	0

CORNER INSTALL

Side clearance (F), mm	100	100	100	100	100	100
Flue clearance (G) ¹ , mm	25	25	25	25	25	25

EXTERNAL FLUE

Rear clearance (H), mm	100	100	100	100	100	100
Side clearance (I) ¹ , mm	25	25	25	25	25	25
Outside flue clearance (J) ¹ , mm	25	25	25	25	25	25

¹ From shielded flue. **NOTE:** We recommend 200mm rear clearance and 300mm side clearance to allow for servicing access. We recommend required hearth dimensions are confirmed by your installer.

MIRO LIVO SONO REVO II CORSO DOMO

TECHNICAL DATA

Heating range, kW	2.5-6.1	2.5-6.3	2.5-7.2	2.5-8.4	2.5-8.0	3-10.3
Fuel consumption range, kg/hr	0.6-1.4	0.6-1.4	0.6-1.6	0.6-1.9	0.6-1.9	0.7-2.3
Hopper size, kg	~ 21	~ 20	~ 25	~ 39	~ 30	~ 50
Burn time - low, hr	~ 35	~ 33	~ 41	~ 64	~ 50	~ 71
Burn time - high, hr	~ 15	~ 15	~ 15	~ 20	~ 15	~ 21
Average electrical input, W	20	20	20	20	20	20
Ignition electrical input, W	150	150	150	150	150	150
Efficiency (nett), %	88	86	86	86	86	89
Emissions, g/kg	0.37	0.4	0.38	0.38	0.3	0.3
Fresh air requirement, m ³ /hr	20	20	20	20	20	20

VISIT OUR SHOWROOM

6 Hillview Road,
Christchurch 8011
Phone: +64 3 353 0852
Email: info@eenergy.co.nz

OPENING HOURS

Mon. to Fri. 9am to 5pm Sat.
9am to noon

Eenergy
The Pellet Fire Shop

www.eenergy.co.nz

YOUR FIRE
IS GOING

Online

2022

