

ena PLUS




Automatic
Ignition


Ultra
Low
Emission


High
Efficiency


WiFi
Optional

3 Year
Warranty



* red and white colours are
an additional cost

PELLET FIRE

The ENA Plus combines the outstanding heat output of a pellet fire with contemporary European styling. This affordable pellet fire is being released after three years of testing and refinement in New Zealand conditions with New Zealand pellet fuel. Rest easy knowing that all CHAMPION pellet fires are backed by a comprehensive **3 year "CHAMPION" warranty**

**HEAT YOUR
HOME WITH**
a
PELLET FIRES
CHA PION



Technical Specs



European Styling

7.1 kw

Continuous Output



WIFI Option

3 yr.

«Champion» Warranty



High Efficiency



Economical to Run

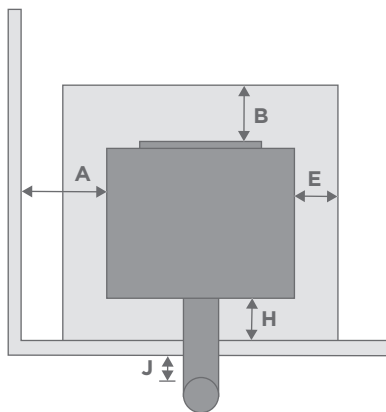


Clean air approved

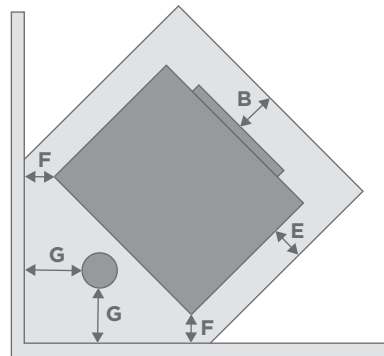
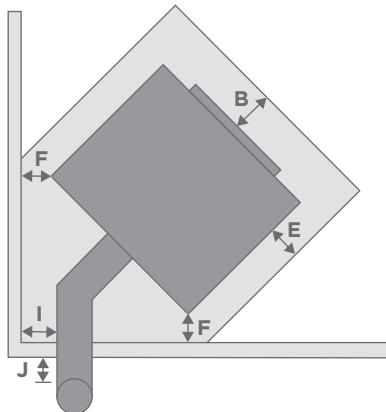
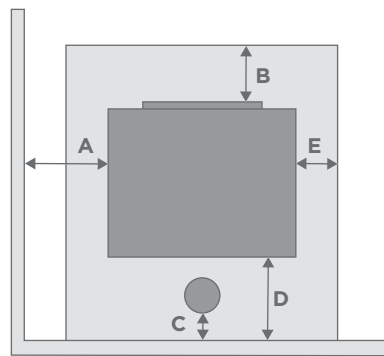


Easy to Clean

External Flue



Internal Flue



Clearances

Size (mm)

Dimensions HxWxD 971x463x549

Flat Wall Install

Side clearance (A)	50
Front hearth clearance (B)	150
Flue clearance (C)*	50
Rear clearance (D)*	n/a
Side hearth clearance (E)	0

Corner Install

Side clearance (F)	50
Flue clearance (G)*	50
Rear clearance (H)	100

External Flue

Side flue clearance (I)*	50
Outside flue clearance (J)*	25

* From shielded flue. **Note:** These are minimum clearances to combustibles. Actual installation distances may be greater

MODEL SIZES