

tria PLUS




Automatic
Ignition


Ultra
Low
Emission


High
Efficiency


WiFi
Optional

3 Year
Warranty



PELLET FIRE

The TRIA+ is the latest addition to the Champion range of pellet fires. With an incredible 11kW maximum heat output the TRIA+ has heat to burn. The Champion range has been tried and tested in New Zealand conditions with New Zealand pellet fuel. Rest easy knowing that all CHAMPION pellet fires are backed by a comprehensive **3 year "CHAMPION" warranty.**

**HEAT YOUR
HOME WITH**
a
PELLET FIRES
CHA PION

Technical Specs



European Styling

11 kw

Continuous Output



WIFI Option

3 yr.

«Champion» Warranty



High Efficiency



Economical to Run

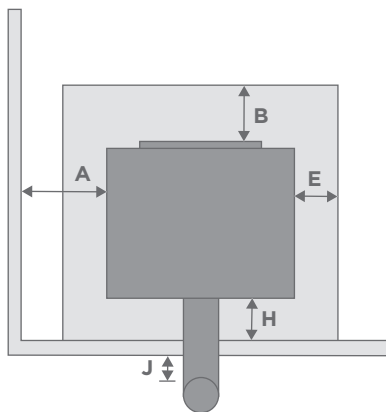


Clean air approved

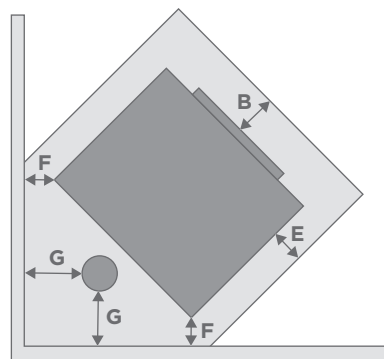
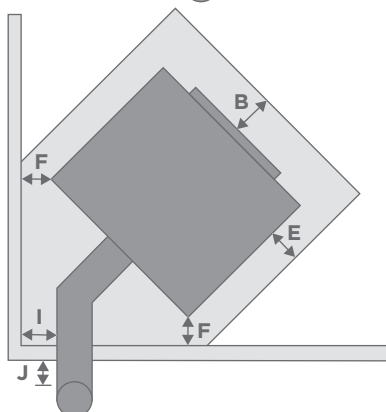
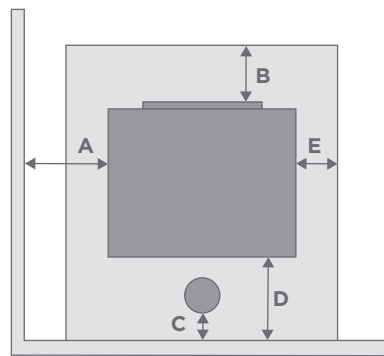


Easy to Clean

External Flue



Internal Flue



Clearances

Size (mm)

Dimensions HxWxD 1073 x 580 x 538

Flat Wall Install

Side clearance (A)	100
Front hearth clearance (B)	150
Flue clearance (C)*	25
Rear clearance (D)*	n/a
Side hearth clearance (E)	0

Corner Install

Side clearance (F)	100
Flue clearance (G)*	25
Rear clearance (H)	100

External Flue

Side flue clearance (I)*	25
Outside flue clearance (J)*	25

* From shielded flue. **Note:** These are minimum clearances to combustibles. Actual installation distances may be greater

MODEL SIZES